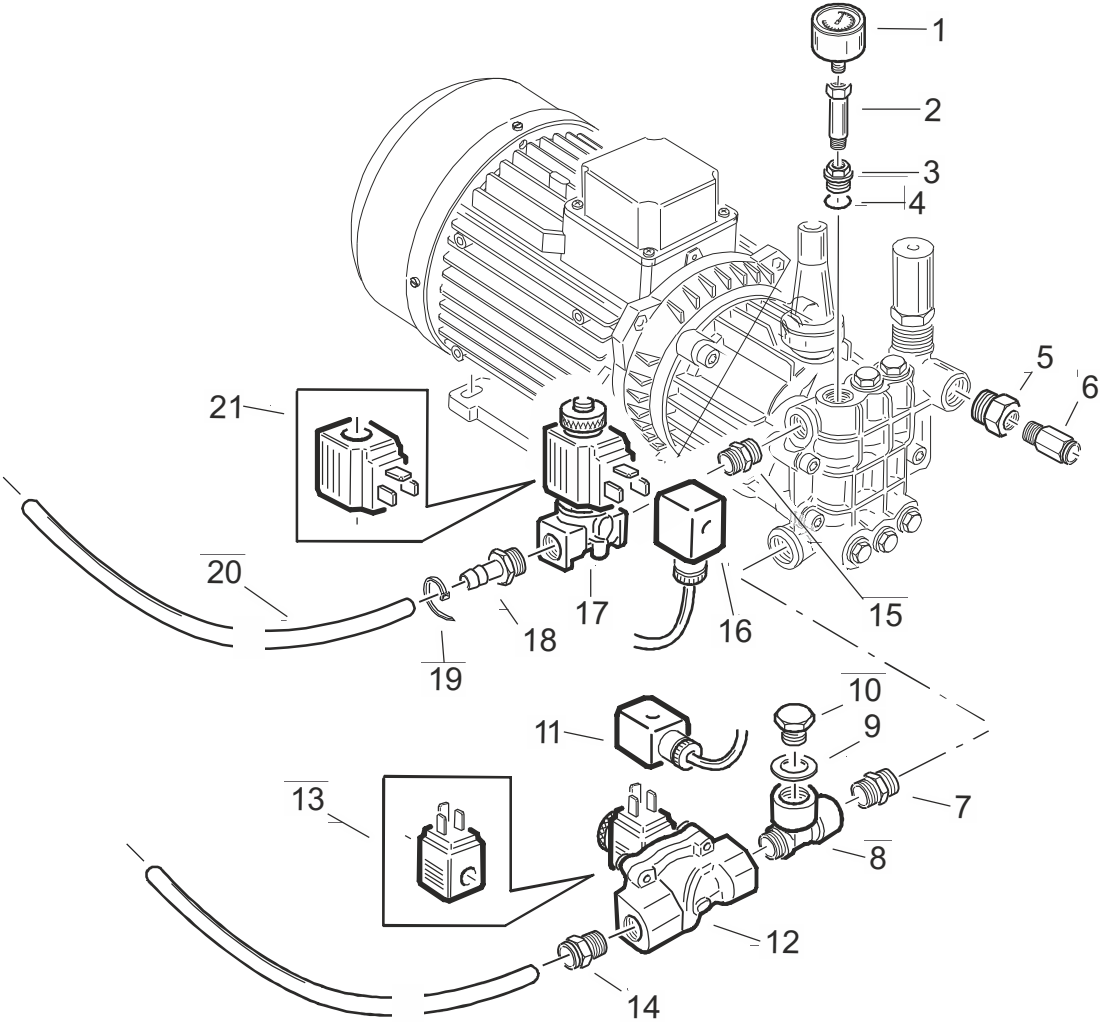
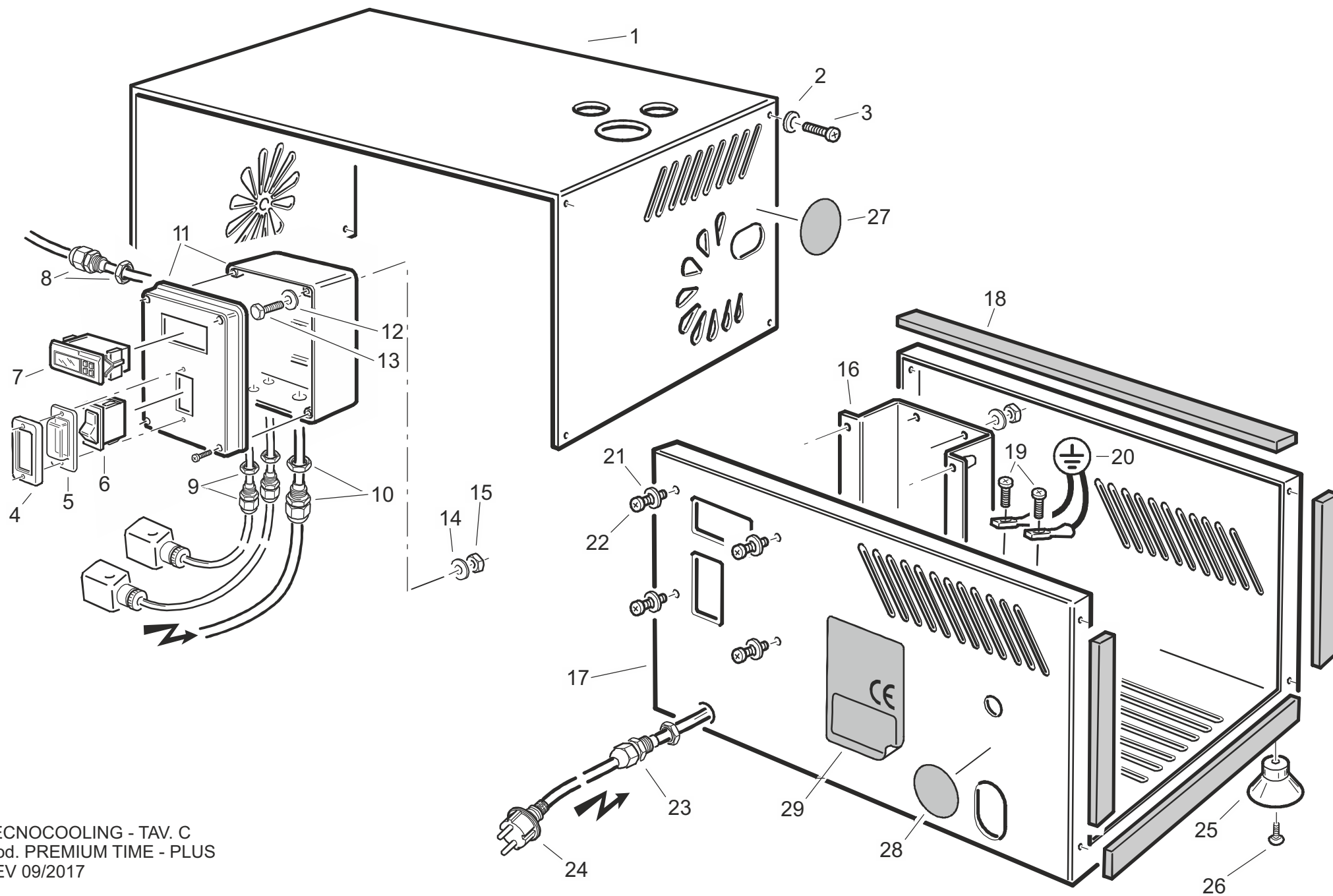


TECNOCOOLING - TAV.B
Mod. PREMIUM TIME -
PREMIUM PLUS
REV 09/2017





TECNOCOOLING - TAV. C
 Mod. PREMIUM TIME - PLUS
 REV 09/2017

PREMIUM / PREMIUM TIME / PREMIUM PLUS - SPARE PARTS

REF	Pos.	Code	Descrizione	Description	Qty.	Notes
	A1	AC.0031.BU	Grano M8x20	Screw 8x20	1	
	A2	5311044001	ASTUCCIO MOLLA	Spring box	1	
	A3	1516001001	PIATTELLO MOLLA 11x6,5	Spring plate	2	
	A4	1613001001	MOLLA 80/10 VALVOLA F.3.3-13.8 (EX 261/09)	Spring	1	
	A5	1403001001	CAMICIA PISTONCINO VALVOLA MP	Valve piston sleeve	1	
	A6	1815002001	OR 2056 (14X1,78)	OR 2056 (14X1,78)	1	
	A7	1416001001	PISTONCINO VALVOLA HS	Valve piston	1	
	A8	1601006001	ANELLO ANTIESTRUSIONE 11x8,1x1,2	Ring	1	
	A9	1815001001	OR 2031/107 (11,22X7,66X1,78) MP	OR 2031/107 (11,22X7,66X1,78) MP	1	
	A10	1407001001	GUIDA SPILLO VALVOLA	Valve ping guide	1	
	A11	1815003001	OR 1,78x 8,73 MP POS. 29(108)	OR 1,78x 8,73 MP POS. 29(108)	1	
	A12	1815004001	OR 2012/101 (2,90X1,78) MP	OR 2012/101 (2,90X1,78) MP	2	
	A13	1719001001	SPILLO VALVOLA MP	Valve ping guide	1	
	A14	1402002001	SEDE VALVOLA REG. T.O. MP	Valve seat (stainless steel)	1	
	A15	1815001001	OR 2031/107 (11,22X7,66X1,78) MP	OR 2031/107 (11,22X7,66X1,78) MP	1	
	A16	1420001001	TAPPO VALVOLA OTTONE MP	Valve screw	6	
	A17	1815005001	OR 1,78x15,60 TAPPO MP(2062)	OR 1,78x15,60 Plug (2062)	6	
	A22	1722004001	VALVOLA A/M FOG MP	Valve	6	
	A23	1815006001	OR 1,78x12,42 VALVOLINA MP POS. 23 (2050)	OR 1,78x12,42 Valve (2050)	6	
	A24	2520008001	TESTATA SJ OTTONE x STOP & GO	Brass Pumphead for Stop and go	1	
	A25	1302001001	BULLONE BRUGOLA TCEI 8X35 MP	Screw 8x35	4	
	A26	1601003001	ANELLO DI SPINTA D.15 MP	Packing support	3	
	A27	1807005001	GUARNIZIONE 25x15x5 "V" RING MP	V ring seal 25x15x5	3	
	A28	1815011001	OR 1,78x25,12 MP POS.60 (2100)	OR 1,78x25,12 MP POS.60 (2100)	3	
	A29	1416009001	PORTA GUARNIZIONE HS POS. 41 MP	V packing holder	3	
	A30	1807001001	GUARNIZIONE 40A 22x15x5 MP	V packing meg	3	
	A31	1404001001	DISCO BATTUTA SJ/HS MP POS.42	Beat plate	3	
	A32	1816001001	PARAOLIO 15x24x5 MP POS.43 (KCLW 15X24X5/7)	Oils seal	3	
	A33	1613005001	MOLLA 261/05 PISTONE F.3-30-42-6	Piston spring	3	
	A34	3016001001	PISTONE 15x81 CERAMICA (BR/HS) MP	Ceramic piston	3	
	A35	1616001001	PORTA MOLLA PISTONE SJ/HS MP	Spring retainer	3	
	A36	2903001001	CORPO POMPA ALL. (SJ-HS) POS 47	Aluminium body	1	
	A37	1302002001	BULLONE BRUGOLA TCEI 8x25 MP	Screw 8x25	4	
	A38	1815006001	OR 1,78x12,42 VALVOLINA MP POS. 23 (2050)	OR 1,78x12,42 Valve (2050)	1	
	A39	2819001001	SERBATOIO OLIO SJ-HS MP	Oil tank	1	
	A40	1815012001	OR 106 1,78x 6,75 MP	OR 106 1,78x 6,75 MP	2	
	A41	1420004001	TAPPO LIV. OLIO S/OR	Oil dipstick	1	
	A42	3103016001	CUSCINETTO A SFERE 51108 (FOG)	Roller bearing	1	
	A43	1516017001	PIATTELLO INCLINATO FOG 0.6 l/min	Wobble plate 0.6 LPM	1	
	A43	1516018001	PIATTELLO INCLINATO FOG 1 l/min	Wobble plate 1 LPM	1	
	A43	1516019001	PIATTELLO INCLINATO FOG 2 l/min	Wobble plate 2 LPM	1	
	A43	1516020001	PIATTELLO INCLINATO FOG 2.5 l/min	Wobble plate 2.5 LPM	1	
	A43	1516021001	PIATTELLO INCLINATO FOG 3 l/min	Wobble plate 3 LPM	1	
	A43	1516022001	PIATTELLO INCLINATO FOG 4 l/min	Wobble plate 4 LPM	1	
	A43	1516023001	PIATTELLO INCLINATO FOG 5 l/min	Wobble plate 5 LPM	1	
	A43	1516024001	PIATTELLO INCLINATO FOG 6 l/min	Wobble plate 6 LPM	1	
	A44	1815009001	OR 3,53x82,14 MP (4325)	OR 3,53x82,14 MP (4325)	1	
	A45	3103014001	CUSCINETTO 7204B FAG	Roller bearing 7204B	1	
	A46	1816002001	PARAOLIO 20x35x7 MP 56	Oils seal	1	
	A47	1304002001	DADO M5 X TIRANTE MP	Nut M5	4	
	A48	3206001001	FLANGIA ANT. MEC 80 MP	Flange Mec80	1	
	A49	4803001001	CHIAVETTA UNI 6604 6X6X25	Key 6x6x25	1	
	A50	3918006001	ROTORE 80X25H90 C/ALBERO MEC80 FOG	Rotor	1	
	A51	1322001001	VITE 8X30 TE UNI5739	Screw 8x30	4	
	A52	103012	RONDELLA 8x24x2 ZB	Washer	4	
	A54	3816001001	PIEDE CARCASSA MEC 80 NCN	Mec 80 foot	2	
	A55	103012	RONDELLA 8x24x2 ZB	Washer	4	
	A56	1304001001	DADO M8	Nut M8	4	
	A57	3716035001	PACCO MEC80 230V 50HZ 4P 1450-RPM (FOG)	Moto cage	1	
	A58	3103015001	CUSCINETTO 6204 ZZ FAG	Roller bearing	1	
	A59	1822002001	V RING V-20 S	V ring	1	

TAV.A

PREMIUM / PREMIUM TIME / PREMIUM PLUS - SPARE PARTS

REF	Pos.	Code	Descrizione	Description	Qty.	Notes
TAV/A	A60	3219001001	SCUDO MEC 80 MP	Front cover	1	
	A61	5222001001	VENTOLA FB 80 D.19 C/ANELLO MP	Fan	1	
	A62	5203001001	COPRIVENTOLA FCN 80 MP	Fan cover	1	
	A63	1322007001	VITE 3,5x6,5 UNI 6954 TC+	Screw 3,5x6,5	4	
	A64	1320001001	TIRANTE TE M5x155 FIL.25 Z.B.	Tie rod M5x155	4	
	A65	3303002001	CAPPELOTTO	Plastic cover	1	
	A67	3306003001	Fermacavo conico	Cable holder	1	
	A68	3403006001	CONDENSATORE 25 uF 450V	Capacitor	1	
	A69	1613006001	MOLLA PORTACONDENSATORE TIPO PICCOLO ZINCATA	Capacitor holder spring	1	
	A70	AC.0026.BU	RONDELLA 4 ZIGRINATA ZBD(ROZSZ04)	Wahser	1	
	A71	1322003001	VITE 4x8 ZNT (EX 3,5x9,5-TERRA	Screw	1	
TAV/B	B1	1913002001	MANOMETRO 0-300	Pressure gauge	1	
	B2	1416020001	PROLUNGA TUBO 1/8 H.36 (C-EASY/PREMIUM)	Extension 1/8 MF	1	
	B3	1416002001	PORTA MANOMETRO	Pressure gauge holder	1	
	B4	1815005001	OR 1,78X12,60 TAPPO MP	OR 1,78X12,60 TAPPO MP	1	
	B5	1418016001	RACCORDO M18x1 1/4F A TAPPO MP	M18 X 1/4F CONNECTOR	1	
	B6	TC300026	Raccordo inizio 3/8 tubo x 1/4 M BSP-T	1/4 BSP male - 3/8" tube	1	
	B7	1418095001	NIPPLO 3/8 CONICO B.P. OTT.	3/8 nipple	1	
	B8	200017	RACCORDO A "T" FFM 3/8 A.P.(24.0313)	T connection FFM 3/8	1	
	B9	101014	RONDELLA ALL. 3/8 17x23x1.5	All. Washer 3/8	1	
	B10	1420003004	TAPPO M3/8"	3/8" M cap	1	
	B11	EC309002	Connettore per bobina tipo C1	Solenoid plug C1 model	1	
	B12	EC309001	Elettrovalvola BP 3/8 FF 230V 50-60Hz	Low pressure inlet solenoid	1	
	B13	4202003001	BOBINA ELETTROVALVOLA C1 230V 50-60Hz	C1 Solenoid 230V 50/60Hz	1	
	B14	EC508004	RACCORDO DIRITTO 3/8M-10 OT.	3/8M-10 pipe connector	1	
	B15	1418090001	NIPPLO 1/4 OT-NICKEL	1/4 Nipple	1	
	B16	EC309006	Connettore grande DIN 43650 A per bobina C4	C4 solenoid plug	1	
	B17	EC309015	Elettrovalvola AP 1/4 230V50Hz NA-60 pilota inox	1/4 NO high pressure solenoid	1	
	B18	102260	PORTAGOMMA M 1/4 d. 10	M 1/4 - 10 pipe connector	1	
	B19	310402	Fascetta plastica	Cable tie	1	
	B20	1032014	TUBO CRISTALLO 6	Drain pipe	1	
	B21	4202004001	BOBINA ELETTROVALVOLA C4 230V 50-60Hz	C4 solenoid coil 230V 50/60HZ	1	
TAV/C	C1	2020014001	TELAIO FOG PREMIUM (COPERCHIO)	Premium chassis cover	1	
	C2	-	-	-		
	C3	100670	VITE 4X 12	Screw 4x12	8	
	C4	3513001001	MASCHERINA INTERRUTTORE WEBER	Switch mask	1	PREMIUM TIME ONLY
	C5	3503001001	Coprinterruttore in gomma	switch cover	1	
	C6	3509015001	Interruttore LUM. +TERM. W14DR4-10A (FOG-EVO)	Switch	1	
	C7	EC309010	TIMER 230-50 3T bulk Bianco/White + Guarnizione	Timer	1	
	C8	3302001001	BLOCCA CAVO PG11 CON GHIERA	PG11 cable gland	1	
	C9	3302021001	BLOCCA CAVO PG9 CON GHIERA	PG9 cable gland	2	
	C10	3302001001	BLOCCA CAVO PG11 CON GHIERA	PG11 cable gland	1	
	C11	1203041001	CASSETTA Q.E. 150x110x70 EVOLUTION	Electric box	1	
	C12	102477	RONDELLA D.6	D.6 Washer	4	
	C13	V1.024.01	VITE 6 X16	SCREW 6X16	4	
	C14	102477	RONDELLA D.6	D.6 Washer	4	
	C15	101511	DADO D.6	D.6 NUT	4	
C16	2020016001	TELAIO FOG PREMIUM-TIME (STAFFA Q.E.)	Electric box support	1		
C17	2020015001	TELAIO FOG PREMIUM (BASE)	Premium chassis base	1		
C18	GUAR00026	Profilo adesivo mousse	Self-adhesive foam tape	-		
C19	-	-	-	-		
C20	-	-	-	-		
C21	-	-	-	-		
C22	100670	VITE 4x12	Screw 4x12	4		
C23	3302003001	PRESSACAVO C/DADO PG13,5 MP	PG13,5 cable lock	1		
C24	3603005001	CAVO ELETTR. H07RN-F 3X1,5 2,3 MT.+SCHUKO	Electric cable 3x1.5 + Schucko plug	1		
C25	1216002001	PIEDINI IN GOMMA (SJ) MP	Rubber foot	4		
C26	1322010001	VITE 4,8X19 TC+ UNI6954 AUTOF.	Screw 4.8x19	4		
C27	0701003001	ADESIVO TONDO WATER "OUTLET" TECNOCOOLING	OUTLET sticker	1		
C28	0701002001	ADESIVO TONDO WATER "INLET" TECNOCOOLING	INLET sticker	1		
C29	0701001001	ADESIVO MATRICOLA	SERIAL NUMBER sticker	1		